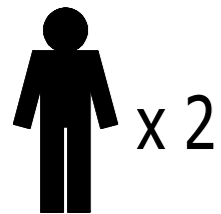
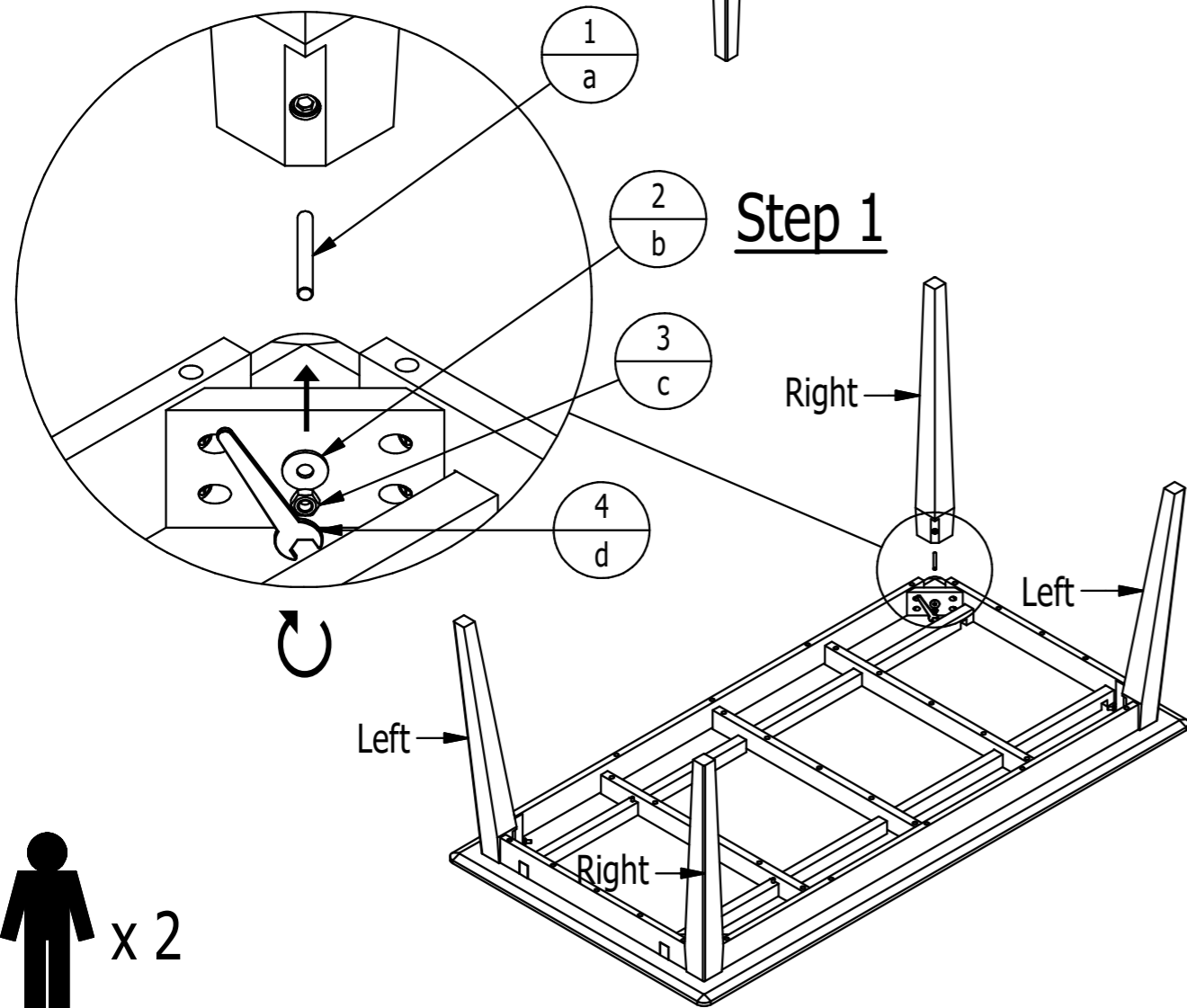
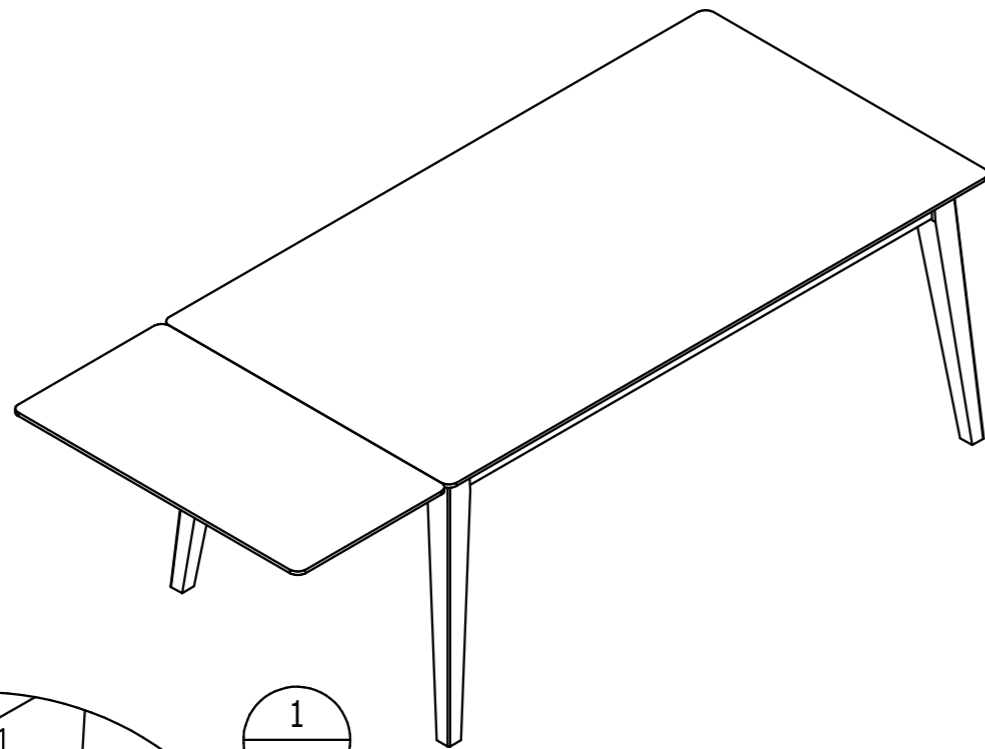
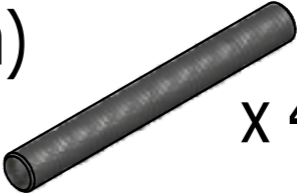


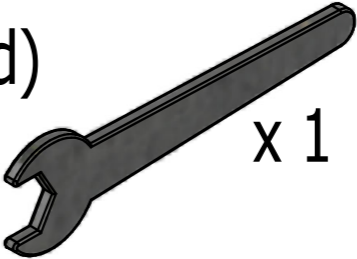
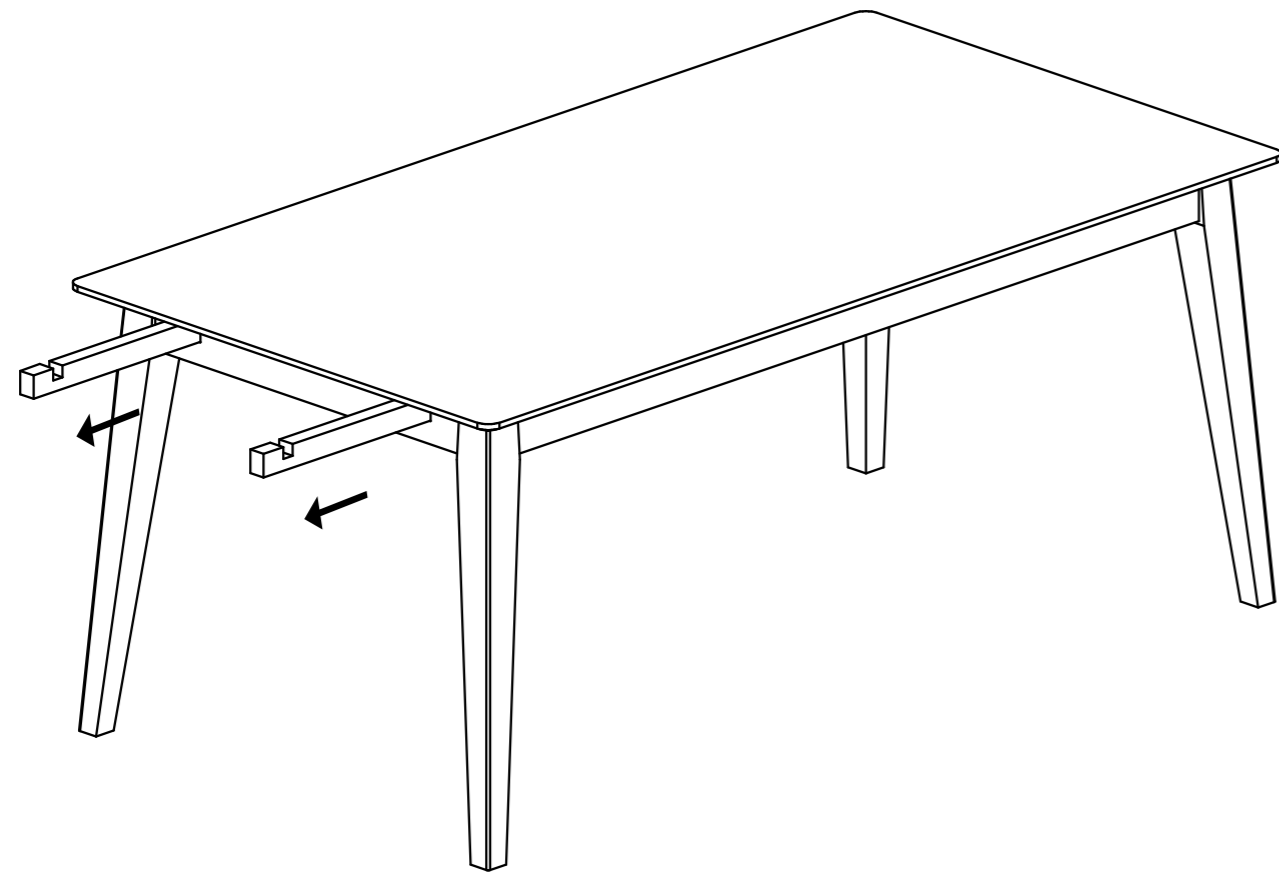


# Assembly instruction



a)  x 4	
b)  x 4	
c)  x 4	
d)  x 1	

Step 2



Step 3

